

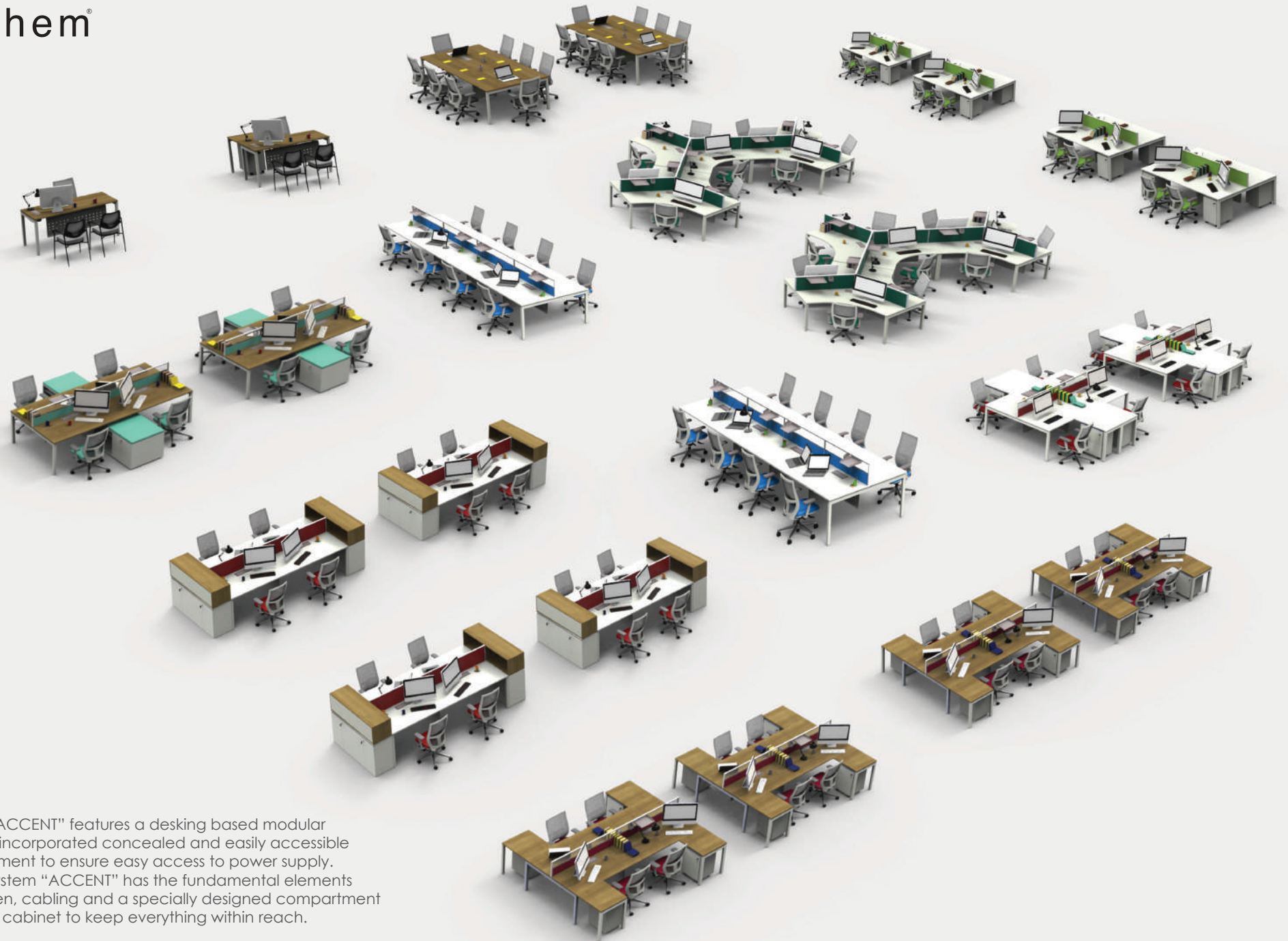
ACCENT

DESIGN | QUALITY | ENVIRONMENT



benithem®

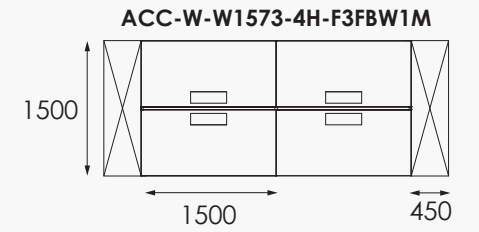
benithem®



ACCENT.

The All-New "ACCENT" features a desking based modular system which incorporated concealed and easily accessible wire-management to ensure easy access to power supply. This desking system "ACCENT" has the fundamental elements for table screen, cabling and a specially designed compartment in the storage cabinet to keep everything within reach.

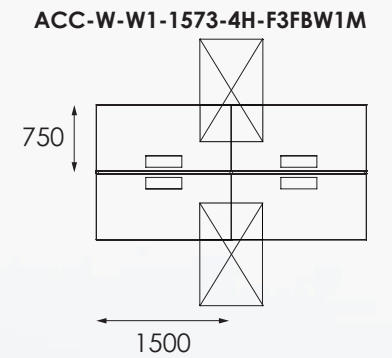
benithem®



CAPABLE. DIVERSIFY. FASHIONABLE.

Accent easily satisfies interior architect's demand for contemporary office layout. The rectilinear frames and metal legs simply match and border with a wide range of storages of any shapes, sizes and finishes.

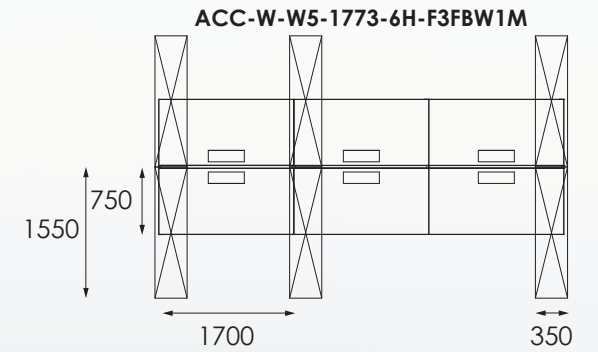
benithem®



DIFFERENT. EXCELLENT. FLEXIBLE.

Accent is simplicity. Everything you need for the perfect working environment. Take what you need and ditch what you don't. Choose your preferred orientation and colors to best match your office function and look. Stay sleek and systematic with Accent.

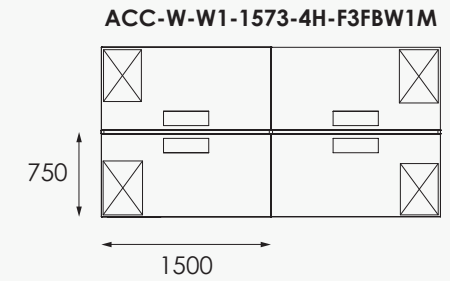
benithem®



SPACE ARRANGEMENT.

Accent thrives in its universally adaptive nature. The rectilinear profile makes it easy to suit-in any interior layout and capture every inch of usable workplaces even in any smaller offices.

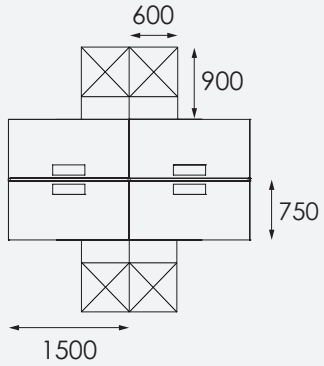
benithem®



PERSONAL. PRACTICAL. PRODUCTIVE.

Accent comes with customisable panels design to suit your work nature. Hanging paper trays, hanging vases and stationary holders, name tags and hanging pots are available for your customization and personalization. Mobile pedestals define your own expressions with the comfortability and flexibility on your choices .

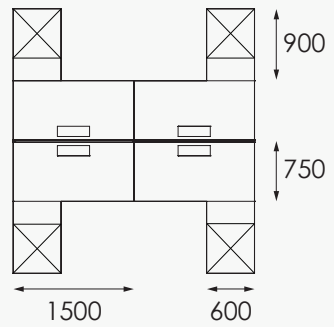
ACC-W-W3-1573-4H-G3FBW1M



DYNAMIC OPTION

This particular design has it covered; organise your people to gather and do group analysis. It comes with built in cable risers, cable trays and mounts as well as hinged cable hatch for a clean and delightful workspace. The dynamic design allows the flexibility of extending the length of the conference table, thereby allowing more co-workers to chip in more ideas.

ACC-W-W2-1573-4H-G3FBW1M



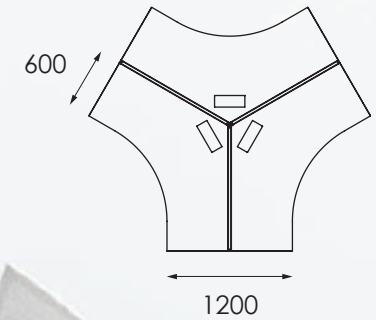
MODERN. DESIGN. CREATIVE

Modern-coloured light desks with N-shaped metal legs are a design supporting creativity. Their integration with cabinets aids in keeping workstations in perfect order even during everyday creative work.

CLEAN. COMPLETE. CONTEMPORARY

Accent is the essential and elegant solution for your office furnishing needs, workstations and storage unit for the complete and practical office, accentuates with a clean and modern look. A perfect work desk with solid structural steel legs and quality assured work surface that fits into any office design perfectly. Accent is everything you need for your modern workstation. No fuss, no gimmick.

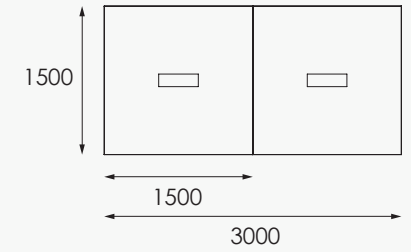
ACC-W-W4-1258-3H-F3FBW1X (2 Sets)



TOGETHER WHICH UNITES

Preferred Conference Set for group discussions or brainstorming. Face to face discussions improve levels of communication.

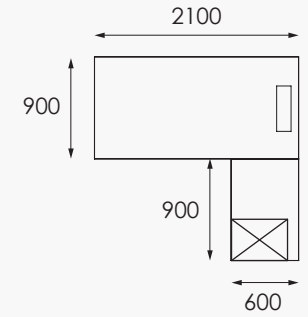
ACC-W-C-3015-H-FBWX



CLASS. CHARACTER. CUSTOMIZATION.

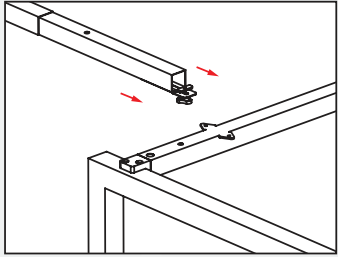
Accent Manager Set, designed to allow customization for your business nature without compromise of class and character. Choose from a variety of cabinets and storage to suit your own needs. Differentiate yourself, with Accent.

ACC-W-M1-2190-6090H-FBWM

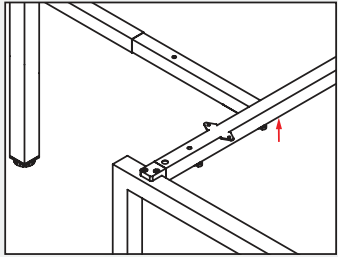


benithem®

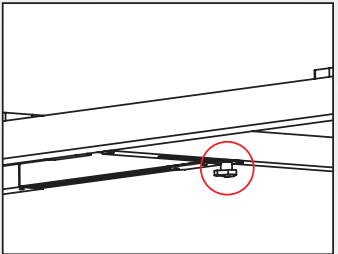
INSTALLATION GUIDE OF L-SHAPE SIDE LEG



1. Set place to use



2. Mate to join beam to beam

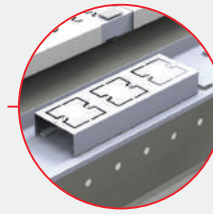


3. Turn the keys counter clockwise



L-SHAPE SIDE LEG

Additional L-shape side leg
with simple install method

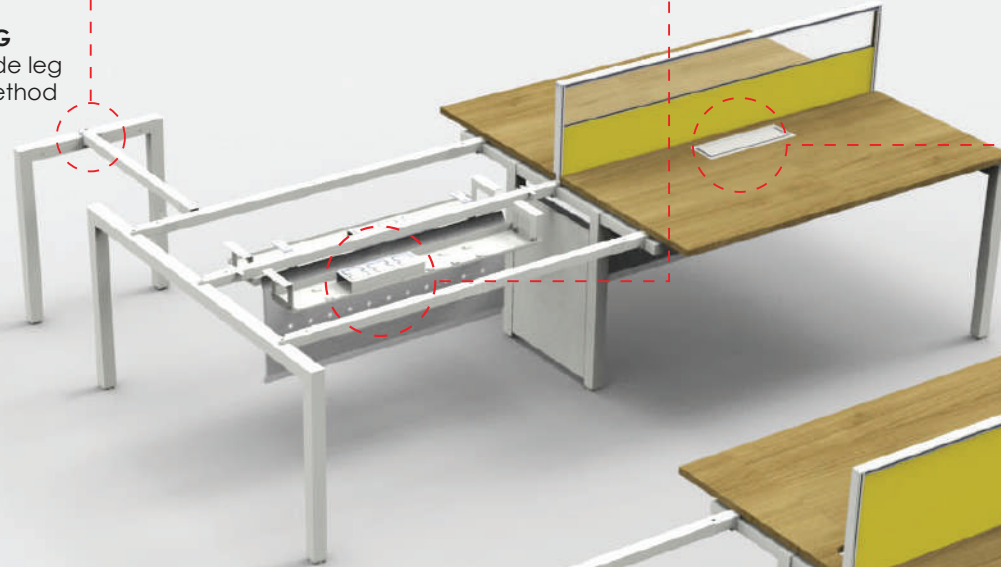


CABLE MANAGEMENT

Type 1

Single Wire Tray for each table

* For the table WITH modesty panel

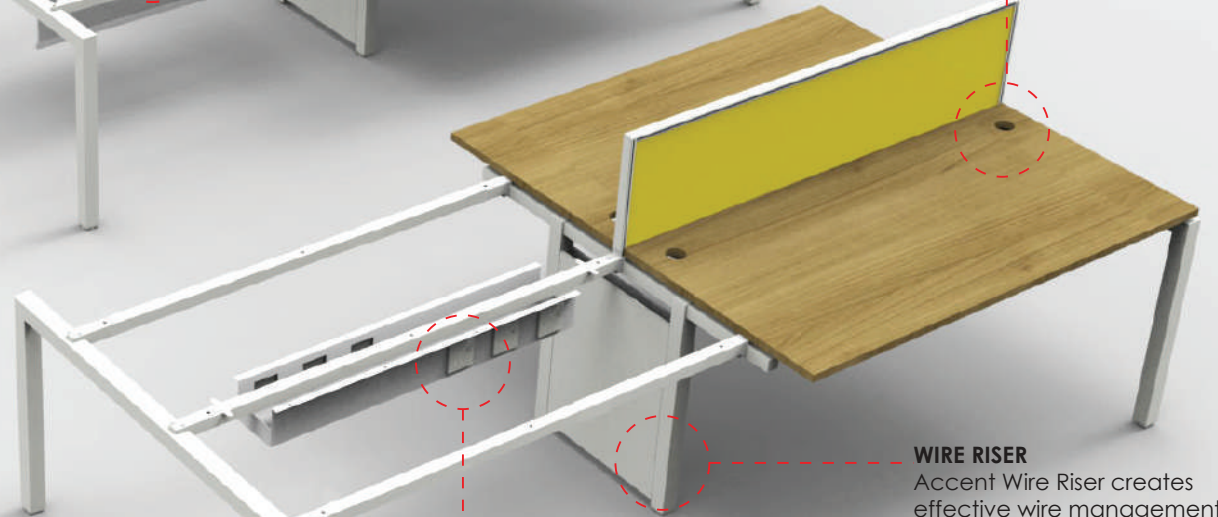


FLIP BOX

Use For Single Wire Tray

60MM ROUND CAP

Use For Share Wire Tray



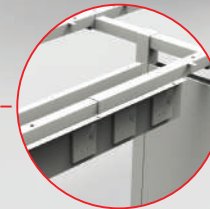
WIRE RISER

Accent Wire Riser creates
effective wire management
solutions in workplace.



ADJUSTABLE GLIDER

Adjust up to 12mm for
non even floor



CABLE MANAGEMENT

Type 2





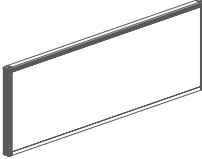
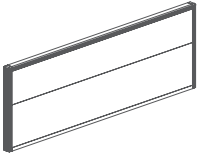
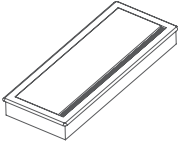
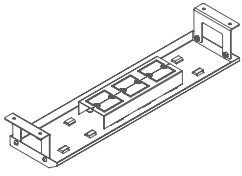
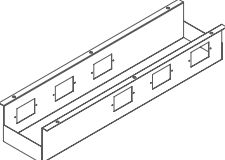
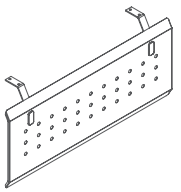
Share Wire Tray for 2 tables

* For the table WITHOUT modesty panel

ACCENT WORKSTATION

Product Code Combination

TABLE TOP TYPE

		(H) With hole of Flip Box
		(N) Normal Without hole of Flip Box
		
FABRIC SCREEN PANEL	HALF GLASS SCREEN PANEL	
		
FLIP BOX	WIRE TRAY STANDARD	
		
WIRE TRAY SHARE	MODESTY PANEL	

ACC - W - W1 - 15 73 - 4 H - F3 FB W1 M

Product Name _____

(ACC) Accent _____

Leg Finishing _____

(W) White _____

(E) Black _____

(S) Silver _____

Product Type _____

(W1) Workstation Normal _____

(W2) Workstation With Side Return Outside _____

(W3) Workstation With Side Return Inside _____

(W4) Workstation 120 Degree _____

Length of Table Top _____

(11) 1100 _____

(12) 1200 _____

(13) 1300 _____

(14) 1400 _____

(15) 1500 _____

(16) 1600 _____

(17) 1700 _____

(18) 1800 _____

Width of Table Top _____

(73) 734 _____

(58) 584 _____

Seater _____

(2) 2 Seaters _____

(3) 3 Seaters _____

(4) 4 Seaters _____

(6) 6 Seaters _____

(8) 8 Seaters _____

Table Top Type _____

(H) With hole of Flip Box _____

(N) Normal (Without hole of Flip Box) _____

(X) No table top _____

Screen Panel Type _____

(F3) Full Fabric 375H _____

(F4) Full Fabric 475H _____

(G3) Half Glass 375H _____

(G4) Half Glass 475H _____

(X) No Screen Panel _____

Flip Box _____

(FB) Flip Box _____

(X) No Flip Box _____

Wire Tray _____

(W1) Wire Tray Standard _____

(W2) Wire Tray Share _____

(X) No Wire Tray _____





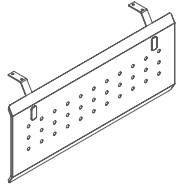
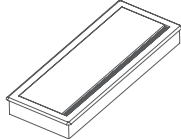

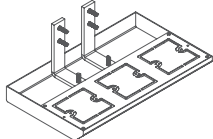
Modesty Panel _____

(M) Modesty Panel _____

(X) No Modesty Panel _____

ACCENT MANAGER
Product Code Combination

TABLE TOP TYPE





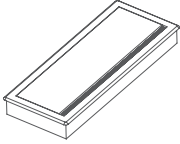
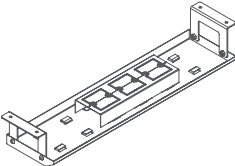

		(H) With hole of Flip Box
		(N) Normal Without hole of Flip Box
		
MODESTY PANEL	FLIP BOX	
		
CABLE SNAKE	WIRE TRAY	

ACC - W - M1 - 18 90 - 60 90 H - FB W M

Product Name _____
(ACC) Accent
 Leg Finishing _____
(W) White
(E) Black
(S) Silver
 Product Type _____
(M1) Manager L Shape
(M2) Manager Standard
 Length of Table Top _____
(18) 1800
(21) 2100
 Width of Table Top _____
(90) 900
 Length of Side Return Table Top _____
(60) 600
** If no side return, no need to write out code*
 Width of Side Return Table Top _____
(90) 900
** If no side return, no need to write out code*
 Table Top Type _____
(H) With hole of Flip Box
(N) Normal (Without hole of Flip Box)
(X) No table top
 Flip Box _____
(FB) Flip Box
(X) No Flip Box
 Wire Tray _____
(W) Wire Tray
(X) No Wire Tray
 Modesty Panel _____
(M) Modesty Panel
(X) No Modesty Panel

ACCENT CONFERENCE
Product Code Combination

TABLE TOP TYPE

		(H) With hole of Flip Box
		(N) Normal Without hole of Flip Box
		
FLIP BOX	WIRE TRAY STANDARD	
		
CABLE SNAKE		

ACC - W - C - 2412- H - FB W C

Product Name _____
(ACC) Accent
 Leg Finishing _____
(W) White
(E) Black
(S) Silver
 Product Type _____
(C) Conference
 Length of Table Top _____
(2412) 2400 x 1200
(3015) 3000 x 1500
(4515) 4500 x 1500
 Table Top Type _____
(H) With hole of Flip Box
(N) Normal (Without hole of Flip Box)
(X) No table top
 Flip Box _____
(FB) Flip Box
(X) No Flip Box
 Wire Tray _____
(W) Wire Tray
(X) No Wire Tray
 Cable Snake _____
(C) Cable Snake
(X) No Cable Snake

Let our Quality do the Talking...

benithem[®]

Benithem Sdn. Bhd.

PTD 10710, Jln Kg Air Putih, Jalan Sawah,
Mukim Jeram Batu, 81500 Pekan Nanas,
Pontian, Johor, West Malaysia.

T: 607-699 6668

F: 607-699 6886

E: sales@benithem.com

www.benithem.com



* Benithem reserves the rights to change the specifications without prior notification.

* Benithem products are manufactured under strict quality controls by Benithem Sdn Bhd, recipient of the ISO 9001:2015 quality assurance certification and ISO 14001:2015 environmental certification.